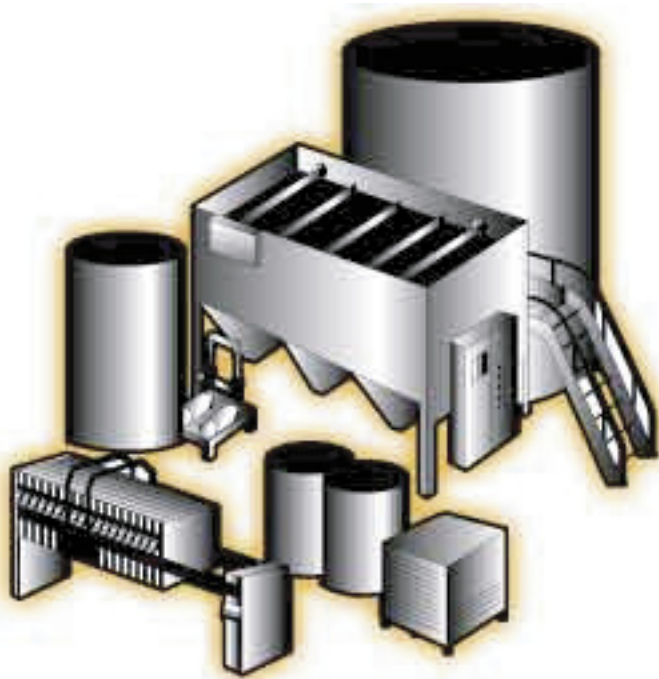




Systems: IAF/DAF (Induced Air Flotation/Dissolved Air Flotation)



Clean water for re-use or discharge.



- **IAF (Induced Air Flotation)**
- **DAF (Dissolved Air Flotation)**

Engineered to reliably handle larger volumes of wastewater — typical flow rates of more than 5,000 gallons per day (20 m<sup>3</sup> per day) — Beckart's continuous flotation systems provide a highly effective solution for treating wastewaters containing free-floating or emulsified oils, dissolved heavy metals, soaps, surfactants, and many other waste streams.

**Capacity:**

5 - 1,000+ gallons per minute  
(1 m<sup>3</sup> - 225+ m<sup>3</sup> per hour)



Beckart offers dishbottom (or hopper bottom) tanks and clarifiers for thorough draining and ease of cleaning.



## Typical Process Flow of a Continuous Flotation System

